

YINGLI SOLAR PV MODULES

Module Supplement

Revision Date December 24, 2011 | Applicable for IEC certified products.



The information in this supplement is believed to be reliable, but does not constitute an expressed or implied warranty. Yingli Solar reserves the right to make changes to its PV modules and other products, their specifications, or this supplement without prior notice.

This supplement refers to modules of the following types:

Table 1: Module types

FAMILY	YGE 185 SERIES YGE 185 40mm SERIES	YGE 185/2 SERIES	YGE 185 PC SERIES YGE 185 PC 40mm SERIES	YGE 185 PT SERIES YGE 185 PT 40mm SERIES	YGE 185 PT PC SERIES YGE 185 PT PC 40mm SERIES
TYPE	YL150P-23b	YL150P-23b/2	YL150P-23b-PC	YL150PT-23b	YL150PT-23b-PC
	YL155P-23b	YL155P-23b/2	YL155P-23b-PC	YL155PT-23b	YL155PT-23b-PC
	YL160P-23b	YL160P-23b/2	YL160P-23b-PC	YL160PT-23b	YL160PT-23b-PC
	YL165P-23b	YL165P-23b/2	YL165P-23b-PC	YL165PT-23b	YL165PT-23b-PC
	YL170P-23b	YL170P-23b/2	YL170P-23b-PC	YL170PT-23b	YL170PT-23b-PC
	YL175P-23b	YL175P-23b/2	YL175P-23b-PC	YL175PT-23b	YL175PT-23b-PC
	YL180P-23b	YL180P-23b/2	YL180P-23b-PC	YL180PT-23b	YL180PT-23b-PC
	YL185P-23b	YL185P-23b/2	YL185P-23b-PC	YL185PT-23b	YL185PT-23b-PC
	YL190P-23b	YL190P-23b/2	YL190P-23b-PC	YL190PT-23b	YL190PT-23b-PC
	YL195P-23b	YL195P-23b/2	YL195P-23b-PC	YL195PT-23b	YL195PT-23b-PC
	YL200P-23b				
	YL205P-23b				
YL210P-23b					

FAMILY	YGE 210 SERIES
TYPE	YL180P-26b
	YL185P-26b
	YL190P-26b
	YL195P-26b
	YL200P-26b
	YL205P-26b
	YL210P-26b
	YL215P-26b
	YL220P-26b

FAMILY	YGE 235 SERIES YGE 235 40mm SERIES	YGE 235/2 SERIES	YGE 235 PC SERIES YGE 235 PC 40mm SERIES	YGE 235 PT SERIES YGE 235 PT 40mm SERIES	YGE 235 PT PC SERIES YGE 235 PT PC 40mm SERIES
TYPE	YL200P-29b	YL200P-29b/2	YL200P-29b-PC	YL200PT-29b	YL200PT-29b-PC
	YL205P-29b	YL205P-29b/2	YL205P-29b-PC	YL205PT-29b	YL205PT-29b-PC
	YL210P-29b	YL210P-29b/2	YL210P-29b-PC	YL210PT-29b	YL210PT-29b-PC
	YL215P-29b	YL215P-29b/2	YL215P-29b-PC	YL215PT-29b	YL215PT-29b-PC
	YL220P-29b	YL220P-29b/2	YL220P-29b-PC	YL220PT-29b	YL220PT-29b-PC
	YL225P-29b	YL225P-29b/2	YL225P-29b-PC	YL225PT-29b	YL225PT-29b-PC
	YL230P-29b	YL230P-29b/2	YL230P-29b-PC	YL230PT-29b	YL230PT-29b-PC
	YL235P-29b	YL235P-29b/2	YL235P-29b-PC	YL235PT-29b	YL235PT-29b-PC
	YL240P-29b	YL240P-29b/2	YL240P-29b-PC	YL240PT-29b	YL240PT-29b-PC
	YL245P-29b	YL245P-29b/2	YL245P-29b-PC	YL245PT-29b	YL245PT-29b-PC
	YL250P-29b				
	YL255P-29b				
	YL260P-29b				
	YL265P-29b				

FAMILY	YGE 280 SERIES YGE 280 NH SERIES	YGE 280 PT SERIES YGE 280 PT NH SERIES	YGE 280 PC SERIES YGE 280 PC NH SERIES	YGE 280 PT PC SERIES YGE 280 PT PC NH SERIES
TYPE	YL235P-35b	YL235PT-35b	YL235P-35b-PC	YL235PT-35b-PC
	YL240P-35b	YL240PT-35b	YL240P-35b-PC	YL240PT-35b-PC
	YL245P-35b	YL245PT-35b	YL245P-35b-PC	YL245PT-35b-PC
	YL250P-35b	YL250PT-35b	YL250P-35b-PC	YL250PT-35b-PC
	YL255P-35b	YL255PT-35b	YL255P-35b-PC	YL255PT-35b-PC
	YL260P-35b	YL260PT-35b	YL260P-35b-PC	YL260PT-35b-PC
	YL265P-35b	YL265PT-35b	YL265P-35b-PC	YL265PT-35b-PC
	YL270P-35b	YL270PT-35b	YL270P-35b-PC	YL270PT-35b-PC
	YL275P-35b	YL275PT-35b	YL275P-35b-PC	YL275PT-35b-PC
	YL280P-35b	YL280PT-35b	YL280P-35b-PC	YL280PT-35b-PC
	YL285P-35b	YL285PT-35b	YL285P-35b-PC	YL285PT-35b-PC
	YL290P-35b	YL290PT-35b	YL290P-35b-PC	YL290PT-35b-PC
	YL295P-35b	YL295PT-35b	YL295P-35b-PC	YL295PT-35b-PC
	YL300P-35b			
	YL305P-35b			
	YL310P-35b			
	YL315P-35b			
YL320P-35b				

FAMILY	PANDA 210 SERIES PANDA 210 40mm SERIES	PANDA 265 SERIES PANDA 265 40mm SERIES	PANDA 315 SERIES PANDA 315 NH SERIES	Yingli MONO 205 SERIES	Yingli MONO 260 SERIES	Yingli MONO 310 SERIES
TYPE	YL180C-24b	YL225C-30b	YL270C-36b	YL180C-24b	YL225C-30b	YL270C-36b
	YL185C-24b	YL230C-30b	YL275C-36b	YL185C-24b	YL230C-30b	YL275C-36b
	YL190C-24b	YL235C-30b	YL280C-36b	YL190C-24b	YL235C-30b	YL280C-36b
	YL195C-24b	YL240C-30b	YL285C-36b	YL195C-24b	YL240C-30b	YL285C-36b
	YL200C-24b	YL245C-30b	YL290C-36b	YL200C-24b	YL245C-30b	YL290C-36b
	YL205C-24b	YL250C-30b	YL295C-36b	YL205C-24b	YL250C-30b	YL295C-36b
	YL210C-24b	YL255C-30b	YL300C-36b	YL210C-24b	YL255C-30b	YL300C-36b
	YL215C-24b	YL260C-30b	YL305C-36b	YL215C-24b	YL260C-30b	YL305C-36b
	YL220C-24b	YL265C-30b	YL310C-36b		YL265C-30b	YL310C-36b
	YL225C-24b	YL270C-30b	YL315C-36b		YL270C-30b	YL315C-36b
		YL275C-30b	YL320C-36b			YL320C-36b
		YL280C-30b	YL325C-36b			YL325C-36b
			YL330C-36b			
			YL335C-36b			
			YL340C-36b			

MOUNTING REQUIREMENTS

Mounting Method: Bolts and Clamps

Table 2: Mounting requirements

Modules that Require Four (4) Connection Points	Modules that Require Six (6) Connection Points	Modules that Require Eight (8) Connection Points
YGE 185 SERIES	YGE 280 PT SERIES	YGE 280 SERIES
YGE 185/2 SERIES	PANDA 315 SERIES	YGE 280 PC SERIES
YGE 185 PC SERIES	Yingli MONO 310 SERIES	YGE 280 PT PC SERIES
YGE 185 PT SERIES	YGE 280 NH SERIES	
YGE 185 PT PC SERIES	YGE 280 PC NH SERIES	
YGE 210 SERIES	YGE 280 PT NH SERIES	
YGE 235 SERIES	YGE 280 PT PC NH SERIES	
YGE 235/2 SERIES	PANDA 315 NH SERIES	
YGE 235 PC SERIES		
YGE 235 PT PC SERIES		
YGE 235 PT SERIES		
PANDA 210 SERIES		
PANDA 265 SERIES		
Yingli MONO 205 SERIES		
Yingli MONO 260 SERIES		
YGE 185 40mm SERIES		
YGE 185 PT 40mm SERIES		
YGE 185 PC 40mm SERIES		
YGE 185 PT PC 40mm SERIES		
YGE 235 40mm SERIES		
YGE 235 PC 40mm SERIES		
YGE 235 PT 40mm SERIES		
YGE 235 PT PC 40mm SERIES		
PANDA 210 40mm SERIES		
PANDA 265 40mm SERIES		

ELECTRICAL CHARACTERISTICS

Nameplate ratings are average values. The electrical characteristics are within +/- 10 percent of the indicated values of I_{sc} , V_{oc} , and P_{max} under Standard Test Conditions (irradiance of 1000 W/m², AM 1.5 spectrum, and a cell temperature of 25°C). Refer to module datasheets for specific power output tolerances. Note that not necessarily all power classes are available for all module series given in the first column of Table 3. Please refer to Table 1 to see which power classes actually exist for which module series.

Table 3: Electrical characteristics

Series	Module	P_{max}	V_{mpp}	I_{mpp}	V_{oc}	I_{sc}	Max. system voltage	Max. series fuse rating
		[W]	[V]	[A]	[V]	[A]	[V]	[A]
YGE 280 YGE 280 PT YGE 280 PC YGE 280 PT PC YGE 280 NH YGE 280 PT NH YGE 280 PC NH YGE 280 PT PC NH	YL320P-35b	320	37.5	8.54	46.8	9.12	1000	15
	YL315P-35b	315	37.1	8.50	46.5	9.07	1000	15
	YL310P-35b	310	36.9	8.41	46.4	8.98	1000	15
	YL305P-35b	305	37.0	8.25	46.3	8.87	1000	15
	YL300P-35b	300	36.7	8.17	46.3	8.77	1000	15
	YL295P-35b	295	36.3	8.12	45.4	8.63	1000	15
	YL290P-35b	290	35.8	8.10	45.3	8.62	1000	15
	YL285P-35b	285	35.5	8.02	45.0	8.50	1000	15
	YL280P-35b	280	35.5	7.89	45.0	8.35	1000	15
	YL275P-35b	275	35.5	7.75	45.0	8.30	1000	15
	YL270P-35b	270	35.3	7.65	44.8	8.20	1000	15
	YL265P-35b	265	35.3	7.50	44.6	8.15	1000	15
	YL260P-35b	260	35.0	7.43	44.6	8.04	1000	15
	YL255P-35b	255	35.0	7.28	44.5	7.90	1000	15
	YL250P-35b	250	35.0	7.15	44.3	7.80	1000	15
	YL245P-35b	245	34.8	7.05	44.2	7.70	1000	15
YL240P-35b	240	34.8	6.90	44.0	7.60	1000	15	
YL235P-35b	235	34.8	6.75	44.0	7.50	1000	15	
YGE 235 YGE 235/2 YGE 235 PT YGE 235 PC YGE 235 PT PC YGE 235 40mm YGE 235 PT 40mm YGE 235 PC 40mm YGE 235 PT PC 40mm	YL265P-29b	265	31.2	8.50	39.1	9.07	1000	15
	YL260P-29b	260	30.9	8.41	38.9	8.98	1000	15
	YL255P-29b	255	30.6	8.32	38.7	8.88	1000	15
	YL250P-29b	250	30.4	8.24	38.4	8.79	1000	15
	YL245P-29b	245	30.2	8.11	37.8	8.63	1000	15
	YL240P-29b	240	29.5	8.14	37.5	8.65	1000	15
	YL235P-29b	235	29.5	7.97	37.0	8.54	1000	15
	YL230P-29b	230	29.5	7.80	37.0	8.40	1000	15
	YL225P-29b	225	29.5	7.63	36.5	8.28	1000	15
	YL220P-29b	220	29.0	7.59	36.5	8.15	1000	15
	YL215P-29b	215	29.0	7.41	36.0	8.10	1000	15
	YL210P-29b	210	28.5	7.37	36.0	7.95	1000	15
	YL205P-29b	205	28.5	7.19	36.0	7.86	1000	15
	YL200P-29b	200	28.5	7.02	36.0	7.68	1000	15
YGE 210	YL220P-26b	220	27.1	8.11	34.0	8.63	1000	15
	YL215P-26b	215	26.7	8.05	33.8	8.58	1000	15
	YL210P-26b	210	26.6	7.90	33.6	8.45	1000	15
	YL205P-26b	205	26.5	7.74	33.5	8.33	1000	15
	YL200P-26b	200	26.3	7.60	33.3	8.22	1000	15
	YL195P-26b	195	26.0	7.50	33.0	8.15	1000	15
	YL190P-26b	190	25.8	7.36	32.8	8.03	1000	15
	YL185P-26b	185	25.5	7.25	32.5	7.90	1000	15
YL180P-26b	180	25.5	7.05	32.5	7.78	1000	15	

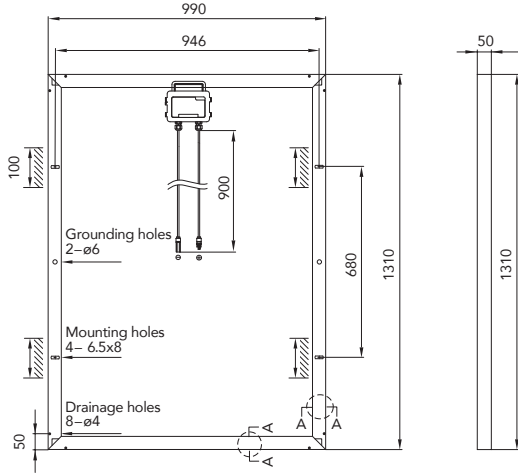
YGE 185 YGE 185/2 YGE 185 PC YGE 185 PT YGE 185 PT PC YGE 185 40mm YGE 185 PC 40mm YGE 185 PT 40mm YGE 185 PT PC 40mm	YL210P-23b	210	24.9	8.45	31.2	9.05	1000	15
	YL205P-23b	205	24.7	8.29	31.3	8.84	1000	15
	YL200P-23b	200	24.5	8.15	31.0	8.73	1000	15
	YL195P-23b	195	24.0	8.10	30.3	8.62	1000	15
	YL190P-23b	190	23.7	8.00	30.1	8.48	1000	15
	YL185P-23b	185	23.5	7.87	29.5	8.45	1000	15
	YL180P-23b	180	23.0	7.83	29.5	8.30	1000	15
	YL175P-23b	175	23.0	7.61	29.0	8.20	1000	15
	YL170P-23b	170	23.0	7.39	29.0	8.10	1000	15
	YL165P-23b	165	23.0	7.17	29.0	7.90	1000	15
	YL160P-23b	160	23.0	6.96	29.0	7.70	1000	15
YL155P-23b	155	22.5	6.89	29.0	7.40	1000	15	
YL150P-23b	150	22.5	6.67	29.0	7.20	1000	15	
PANDA 315 PANDA 315 NH	YL340C-36b	340	37.7	9.01	47.0	9.63	1000	20
	YL335C-36b	335	37.3	8.98	46.7	9.58	1000	20
	YL330C-36b	330	37.0	8.93	46.3	9.55	1000	20
	YL325C-36b	325	37.3	8.71	46.9	9.06	1000	20
	YL320C-36b	320	37.3	8.58	46.9	8.95	1000	20
	YL315C-36b	315	37.2	8.47	46.8	8.89	1000	20
	YL310C-36b	310	37.2	8.33	46.7	8.78	1000	20
	YL305C-36b	305	36.9	8.27	46.3	8.73	1000	20
	YL300C-36b	300	36.8	8.16	45.9	8.69	1000	20
	YL295C-36b	295	36.6	8.06	45.7	8.61	1000	20
	YL290C-36b	290	36.5	7.96	45.7	8.48	1000	20
	YL285C-36b	285	36.3	7.85	45.6	8.36	1000	20
	YL280C-36b	280	35.9	7.81	45.1	8.36	1000	20
	YL275C-36b	275	35.6	7.74	44.5	8.35	1000	20
YL270C-36b	270	35.3	7.66	43.9	8.33	1000	20	
PANDA 265 PANDA 265 40mm	YL280C-30b	280	31.1	9.01	38.9	9.61	1000	20
	YL275C-30b	275	30.8	8.94	38.6	9.55	1000	20
	YL270C-30b	270	31.1	8.68	39.0	9.06	1000	20
	YL265C-30b	265	31.0	8.55	39.0	8.93	1000	20
	YL260C-30b	260	30.8	8.46	38.6	8.91	1000	20
	YL255C-30b	255	30.6	8.33	38.3	8.85	1000	20
	YL250C-30b	250	30.5	8.20	38.1	8.71	1000	20
	YL245C-30b	245	30.4	8.07	38.1	8.59	1000	20
	YL240C-30b	240	30.3	7.93	38.0	8.47	1000	20
	YL235C-30b	235	29.9	7.87	37.6	8.41	1000	20
	YL230C-30b	230	29.6	7.76	37.0	8.40	1000	20
YL225C-30b	225	29.4	7.66	36.4	8.39	1000	20	
PANDA 210 PANDA 210 40mm	YL225C-24b	225	25.0	9.01	31.3	9.61	1000	20
	YL220C-24b	220	24.6	8.96	30.8	9.56	1000	20
	YL215C-24b	215	24.6	8.74	30.7	9.15	1000	20
	YL210C-24b	210	24.5	8.57	30.6	9.07	1000	20
	YL205C-24b	205	24.4	8.40	30.5	8.91	1000	20
	YL200C-24b	200	24.3	8.23	30.5	8.71	1000	20
	YL195C-24b	195	24.2	8.06	30.4	8.58	1000	20
	YL190C-24b	190	23.9	7.95	30.1	8.50	1000	20
	YL185C-24b	185	23.7	7.81	29.6	8.44	1000	20
YL180C-24b	180	23.5	7.66	29.1	8.41	1000	20	

Yingli MONO 310	YL325C-36b	325	37.3	8.71	46.9	9.06	1000	20
	YL320C-36b	320	37.3	8.58	46.9	8.95	1000	20
	YL315C-36b	315	37.2	8.47	46.8	8.89	1000	20
	YL310C-36b	310	37.2	8.33	46.7	8.78	1000	20
	YL305C-36b	305	36.9	8.27	46.3	8.73	1000	20
	YL300C-36b	300	36.8	8.16	45.9	8.69	1000	20
	YL295C-36b	295	36.6	8.06	45.7	8.61	1000	20
	YL290C-36b	290	36.5	7.96	45.7	8.48	1000	20
	YL285C-36b	285	36.3	7.85	45.6	8.36	1000	20
	YL280C-36b	280	35.5	7.81	45.1	8.36	1000	20
	YL275C-36b	275	35.6	7.74	44.5	8.35	1000	20
YL270C-36b	270	35.3	7.66	43.9	8.33	1000	20	
Yingli MONO 260	YL270C-30b	270	31.1	8.68	39.0	9.06	1000	20
	YL265C-30b	265	31.0	8.55	39.0	8.93	1000	20
	YL260C-30b	260	30.8	8.46	38.6	8.91	1000	20
	YL255C-30b	255	30.6	8.33	38.2	8.85	1000	20
	YL250C-30b	250	30.5	8.20	38.1	8.71	1000	20
	YL245C-30b	245	30.4	8.07	38.1	8.59	1000	20
	YL240C-30b	240	30.3	7.93	38.0	8.47	1000	20
	YL235C-30b	235	29.9	7.87	37.6	8.41	1000	20
	YL230C-30b	230	29.6	7.76	37.0	8.40	1000	20
YL225C-30b	225	29.4	7.66	36.4	8.39	1000	20	
Yingli MONO 205	YL215C-24b	215	24.6	8.74	30.7	9.15	1000	20
	YL210C-24b	210	24.5	8.57	30.6	9.07	1000	20
	YL205C-24b	205	24.4	8.40	30.5	8.91	1000	20
	YL200C-24b	200	24.3	8.23	30.5	8.71	1000	20
	YL195C-24b	195	24.2	8.06	30.4	8.58	1000	20
	YL190C-24b	190	23.9	7.96	30.1	8.50	1000	20
	YL185C-24b	185	23.7	7.81	29.6	8.44	1000	20
	YL180C-24b	180	23.5	7.66	29.1	8.41	1000	20

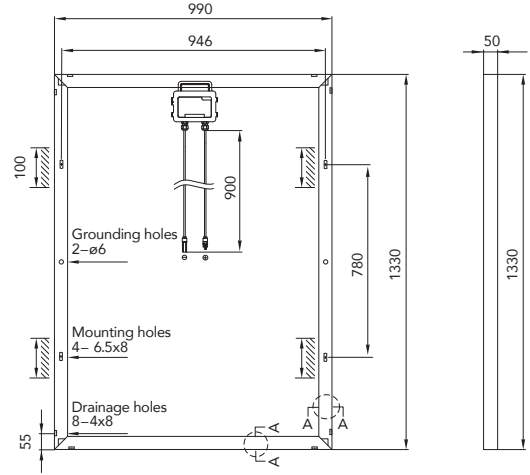
REAR AND SIDE VIEW DIMENSIONS OF MODULE SERIES WITH 50MM FRAME

UNITS: mm

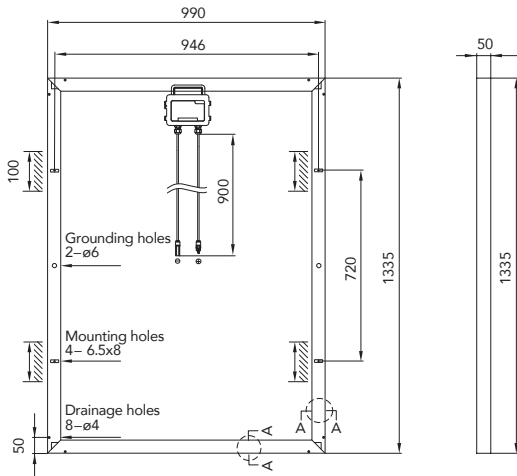
YGE 185 SERIES (also valid for YGE 185 PC)



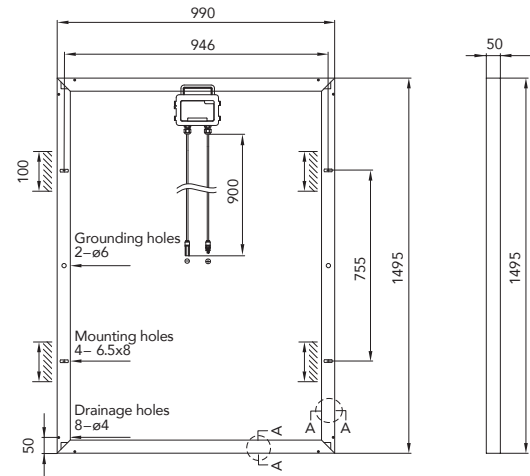
PANDA 210 SERIES (also valid for Yingli MONO 205 Series)



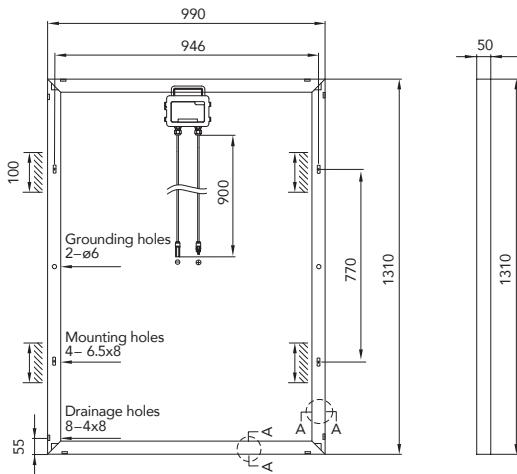
YGE 185/2 SERIES



YGE 210 SERIES



YGE 185 PT SERIES

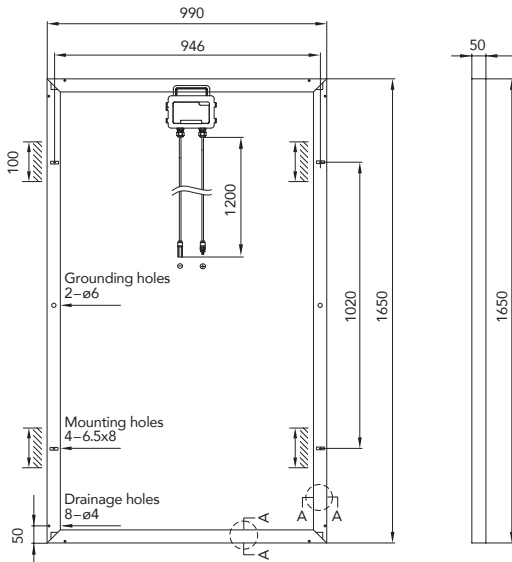


REAR AND SIDE VIEW DIMENSIONS OF MODULE SERIES WITH 50MM FRAME (CONT.)

UNITS: mm

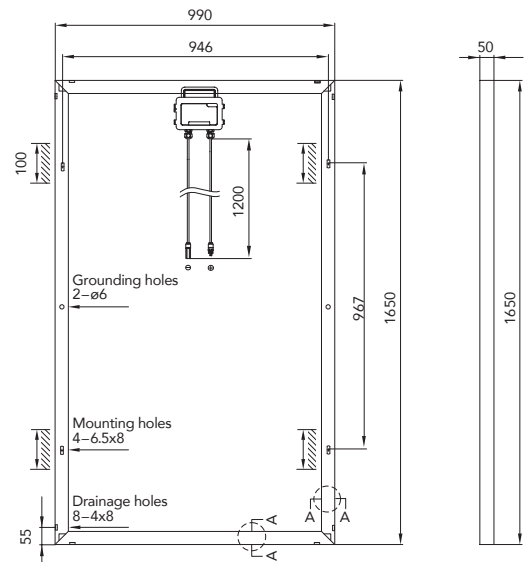
YGE 235 SERIES

(also valid for YGE 235 PC Series)

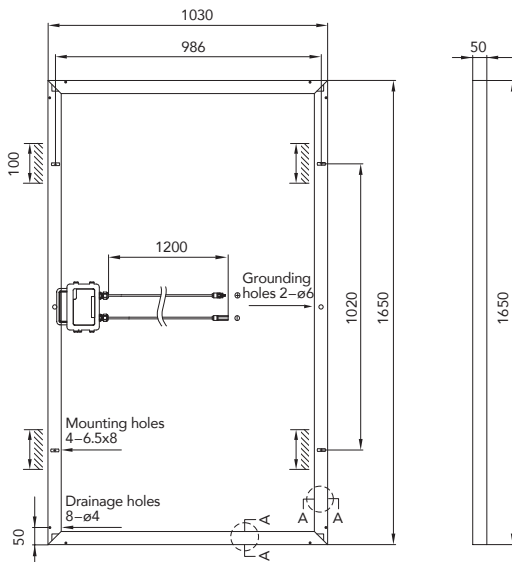


PANDA 265 SERIES

(also valid for YGE 235 PT, YGE 235 PT PC and Yingli MONO 260 Series)

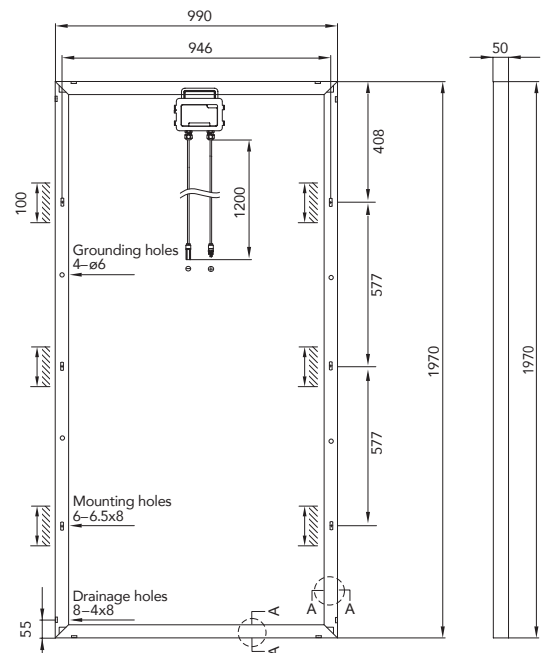


YGE 235/2 SERIES



PANDA 315 SERIES

(also valid for YGE 280 PT, YGE 280 PT PC and Yingli MONO 310 Series)

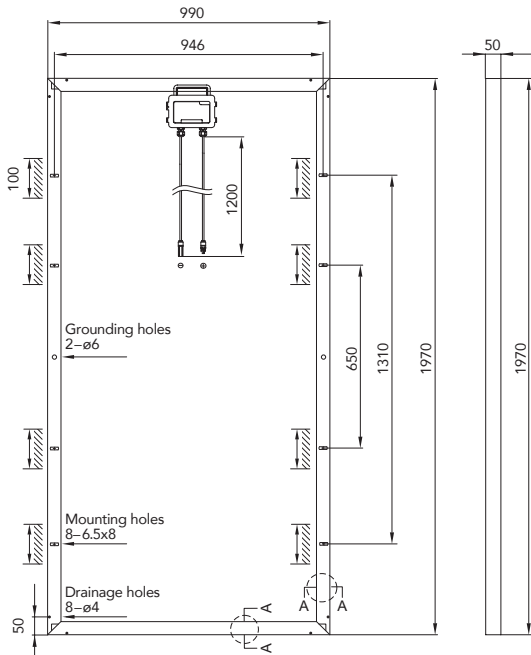


REAR AND SIDE VIEW DIMENSIONS OF MODULE SERIES WITH 50MM FRAME (CONT.)

UNITS: mm

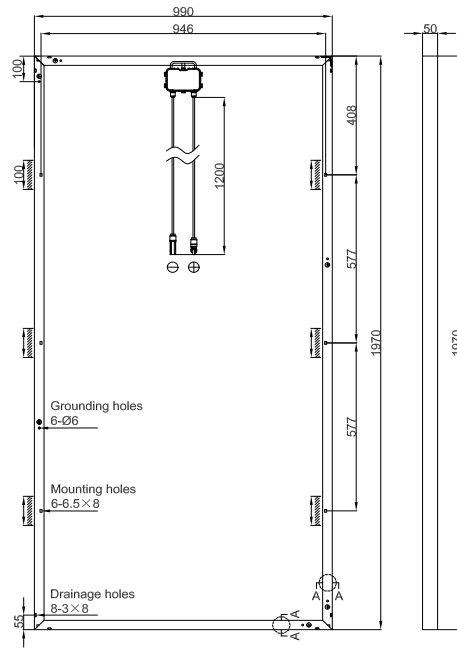
YGE 280 SERIES

(also valid for YGE 280 PC Series)

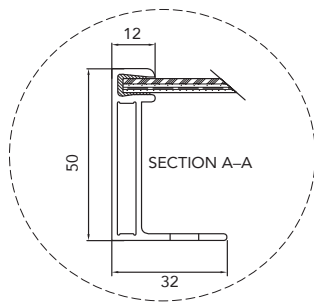


PANDA 315 NH SERIES

(also valid for YGE 280 NH, YGE 280 PC NH, YGE 280 PT NH, YGE 280 PT PC NH Series)



Frame Cross Section



Legend

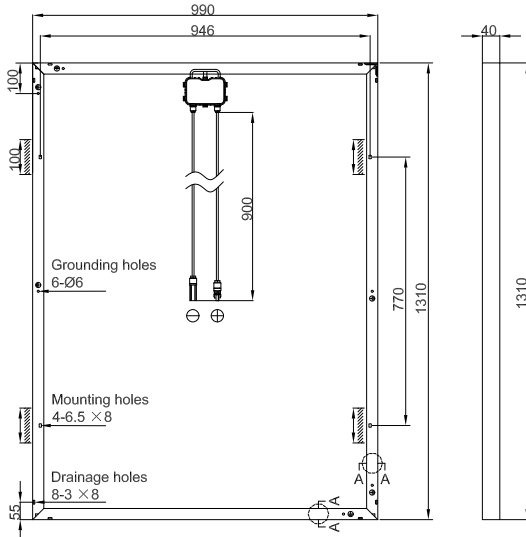
- Grounding holes
- Mounting holes
- Drainage holes
- ▨ Mounting tolerance

REAR AND SIDE VIEW DIMENSIONS OF MODULE SERIES WITH 40MM FRAME

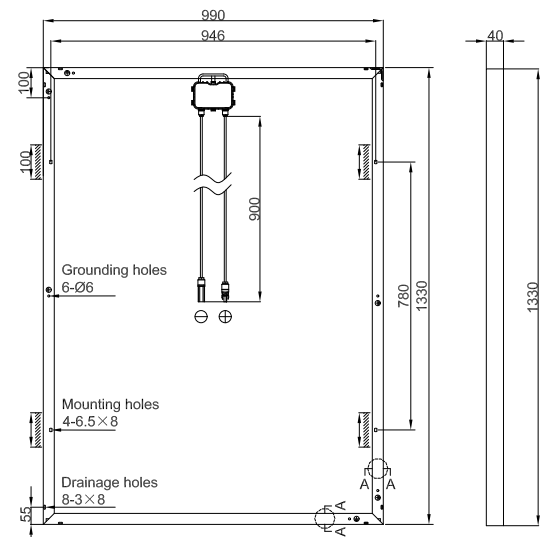
UNITS: mm

YGE185 40mm SERIES

(also valid for YGE185 PC 40mm, YGE185 PT 40mm
YGE185 PT PC 40mm Series)

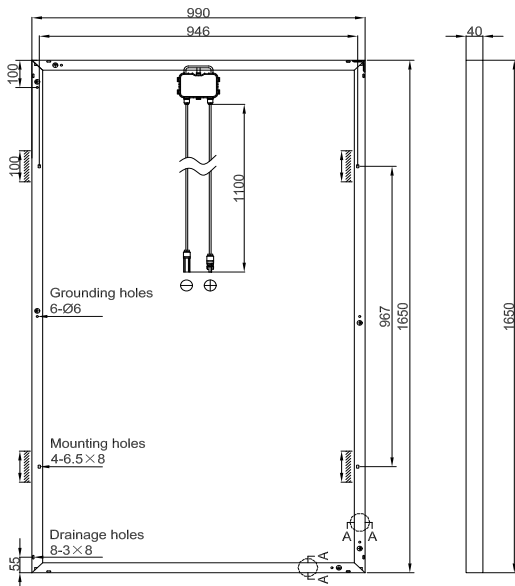


PANDA 210 40mm SERIES

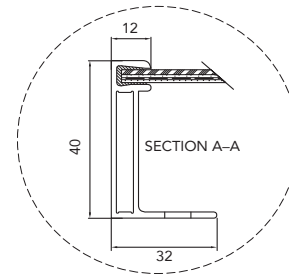


PANDA 265 40mm SERIES

(also valid for YGE 235 40mm, YGE 235 PC 40mm, YGE 235 PT
40mm, YGE235 PT PC 40mm Series)



Frame Cross Section



Legend

- Grounding holes
- ⊕ Mounting holes
- Drainage holes
- ▨ Mounting tolerance

Yingli Green Energy Holding Co. Ltd.

service@yinglisolar.com

Tel: 0086 312 8922216

YINGLISOLAR.COM | NYSE:YGE

© Yingli Green Energy Holding Co. Ltd. | Module Supplement_IEC_EN_201112_v01

