

Change Notification Number: PC11002A-US
 Change Title: Introduction of Frame and Cable Changes
 Date of Publication: December 21, 2011

Introduction:

Based on continuous improvement efforts, Yingli Solar is introducing changes to the frame and cable components of Yingli Solar PV modules. Product changes apply to both IEC and UL certified standard products distributed globally, however this notification is specific to UL certified products.

Description of Changes to the Product:

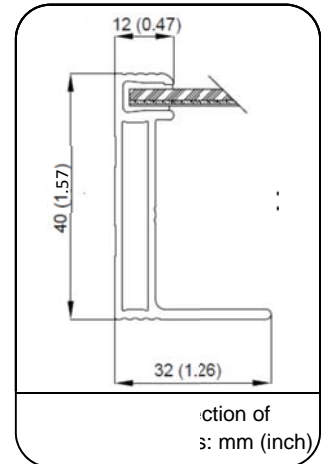
1. Frame Thickness

Module Series Affected:

YGE 240 Series, Panda Series

Yingli Solar is introducing a 40mm frame thickness that has shown to be as reliable and strong as the current frame design. The reduced frame thickness enables an increased packaging density of 26 modules per pallet as opposed to the current package that contains 20 modules per pallet. The modules will continue to be packaged vertically and protected by cardboard packaging and corner sleeves.

The 40mm frame will maintain all of the features of the current frame, including a rigid box design with crimped corner key connections, and a 32 mm flange. Transitioning to a 40mm frame will not affect any of the permitted mounting methods or load ratings of the PV modules.



	YGE 240 Series Panda Series
Module Weight (kg)	19.1
Pallet Weight (kg)	534
Modules per Pallet	26

Table 1: Packaging Specifications for PV Modules with 40mm Frame Thickness

2. Frame Mounting and Grounding Holes

Module Series Affected:

YGE 240 Series, YGE 285 Series, Panda Series, YGE-Z Series

The new frame design features additional grounding holes and optimally located mounting holes. Additional grounding holes in opposite corners of the short and long frame will enable easier access as well as additional grounding locations when mounting rails limit access to grounding holes on the frame.

The mounting holes have been positioned optimally and made consistent across product types of the same physical dimensions. The YGE 285 Series PV modules have six mounting holes and the mounting requirements will be updated in the Installation and User Manual to reflect these changes.

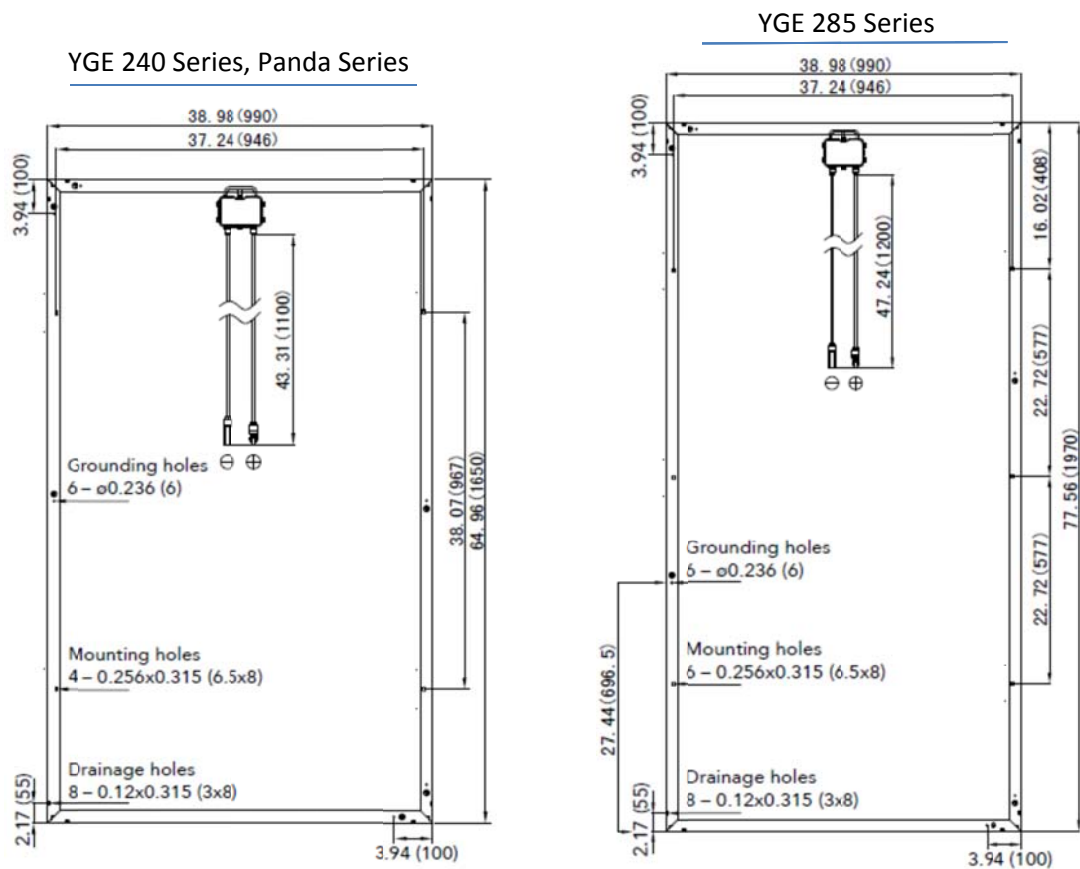


Figure 2: PV Module Drawings with Modified Mounting and Grounding Holes

3. 1100mm Cable Lengths

Module Series Affected:

YGE 240 Series, YGE-Z Series, Panda Series

The length of both output cables will be reduced to 1100mm from 1200mm. Based on our internal evaluation and feedback from customers we have confirmed that 1100mm cables will continue to enable simple module connection and wire management for modules in portrait or landscape orientation. 1100mm cables are also sufficient for modules in portrait that skip every other module.

Timeline for Implementation of Product Changes:

Yingli Solar has scheduled to implement the aforementioned changes in production during January, 2012, meaning customers would begin to receive shipments of new products in February. The specific time of transition may vary among customers based on current and anticipated delivery schedules, and will be communicated by your Yingli sales associate. Yingli will do their best to accommodate particular requirements for certain projects.

Tracking Changes and Product Collateral:

All changes will be made together to limit the number of product variants and to enable easier tracking. Additionally, Yingli Solar will soon be releasing information about a new extended product identifier that will enable customers to more easily understand and differentiate product variants.

Updated datasheets will be posted on the Yingli Solar USA website (<http://www.yinglisolar.com/us/media/download-center/>) the first week of January, 2012.

For technical questions relating to the new product features, please contact: service@yinglisolar.com. For all other inquiries, please contact your Yingli Solar sales associate.