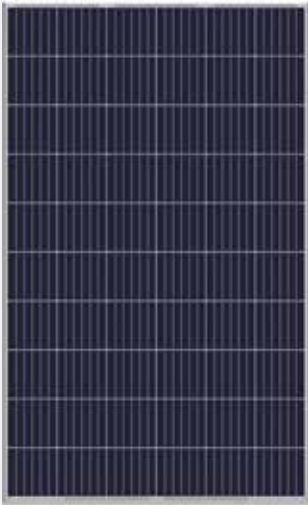


**YGE
60 CELL
SERIES 2
1500V**

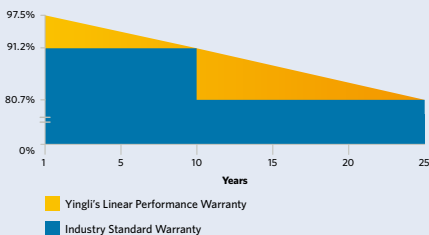


18.5%
CELL EFFICIENCY

10 YEAR
PRODUCT WARRANTY

0-5W
POWER TOLERANCE

25 Years Linear Warranty



HIGH VOLTAGE LESS SYSTEM COST

With a maximum system voltage of 1500 volts, the next generation YGE 1500V Series Modules reduce balance-of-system costs and increase system-level energy yield in large-scale power plants.



Costing Saving

As YGE 1500V Series modules are allowing more modules per string the balance-of-system costs are reduced by less required combiner boxes, fuses and cables in large-scale projects.



Increased Energy Yield

By the higher system voltage line losses in cabling are reduced and the inverter efficiency is increased. This results in an up to 2% higher yield.



PID Resistant

Tested to the industry's most rigorous durability standards, YGE 1500V Series modules are PID-resistant in accordance to IEC 62804. To ensure PID-resistance at higher system voltages, these cells receive an extra layer of protective silicon nitride.



Advanced Glass

Our high-transmission glass features a unique anti-reflective coating that directs more light on the solar cells, resulting in a higher energy yield.

Performance Modelling

For those interested in obtaining panel performance modeling files for system energy yield simulation, please contact Yingli at simulation@yingliamericas.com.

Qualifications & Certificates

UL1703, ISO 9001:2008, ISO 14001:2004, BS OHSAS 18001:2007, PV Cycle, SA 8000



YGE 60 CELL SERIES 2 1500V

ELECTRICAL PERFORMANCE

Electrical parameters at Standard Test Conditions (STC)

Module type	YLxxxP-29b (xxx=P _{max})							
			275	270	265	260	255	250
Power output	P _{max}	W	275	270	265	260	255	250
Power output tolerances	ΔP _{max}	W	0/+5					
Module efficiency	η _m	%	16.8	16.5	16.2	15.9	15.6	15.3
Voltage at P _{max}	V _{mpp}	V	31.0	30.7	30.5	30.3	30.0	29.8
Current at P _{max}	I _{mpp}	A	8.90	8.80	8.70	8.59	8.49	8.39
Open-circuit voltage	V _{oc}	V	37.9	37.9	37.8	37.7	37.7	37.6
Short-circuit current	I _{sc}	A	9.35	9.27	9.18	9.09	9.01	8.92

STC: 1000W/m² irradiance, 25°C module temperature, AM1.5g spectrum according to EN 60904-3.
Average relative efficiency reduction of 3.3% at 200W/m² according to EN 60904-1.

Electrical parameters at Nominal Operating Cell Temperature (NOCT)

Power output	YLxxxP-29b (xxx=P _{max})							
			200.6	196.9	193.3	189.7	186.0	182.4
Voltage at P _{max}	V _{mpp}	V	28.2	28.0	27.8	27.6	27.4	27.2
Current at P _{max}	I _{mpp}	A	7.12	7.04	6.96	6.87	6.79	6.71
Open-circuit voltage	V _{oc}	V	35.0	35.0	34.9	34.8	34.8	34.7
Short-circuit current	I _{sc}	A	7.56	7.49	7.42	7.35	7.28	7.21

NOCT: open-circuit module operation temperature at 800W/m² irradiance, 20°C ambient temperature, 1m/s wind speed.

THERMAL CHARACTERISTICS

Nominal operating cell temperature	NOCT	°C	46 +/- 2
Temperature coefficient of P _{max}	γ	%/°C	-0.42
Temperature coefficient of V _{oc}	β _{Voc}	%/°C	-0.32
Temperature coefficient of I _{sc}	α _{Isc}	%/°C	0.05

OPERATING CONDITIONS

Max. system voltage	1500V _{DC}
Max. series fuse rating	15A
Limiting reverse current	15A
Operating temperature range	-40°C to 85°C
Max. static load, front (e.g., snow)	5400Pa
Max. static load, back (e.g., wind)	2400Pa
Max. hailstone impact (diameter / velocity)	25mm / 23m/s
Module fire performance	Type 1

CONSTRUCTION MATERIALS

Front cover (material / thickness)	low-iron tempered glass / 3.2mm
Cell (quantity / material / dimensions / number of busbars)	60 / multicrystalline silicon / 156.75mm x 156.75mm (+/-0.25) / 4 or 5
Frame (material)	anodized aluminum alloy
Junction box (protection degree)	≥ IP67
Cable (length / cross-sectional area)	1000mm / 4mm ²
Plug connector (type / protection degree)	MC4 / IP68 or Amphenol H4 / IP68 or Forsol SIKE6 / IP68 or Renhe RH05-8 / IP67

- Due to continuous innovation, research and product improvement, the specifications in this product information sheet are subject to change without prior notice. The specifications may deviate slightly and are not guaranteed.
- The data do not refer to a single module and they are not part of the offer, they only serve for comparison to different module types.

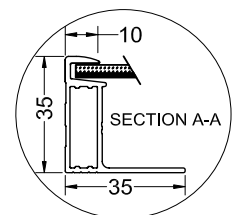
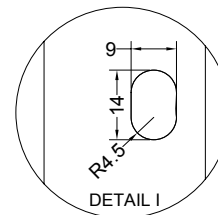
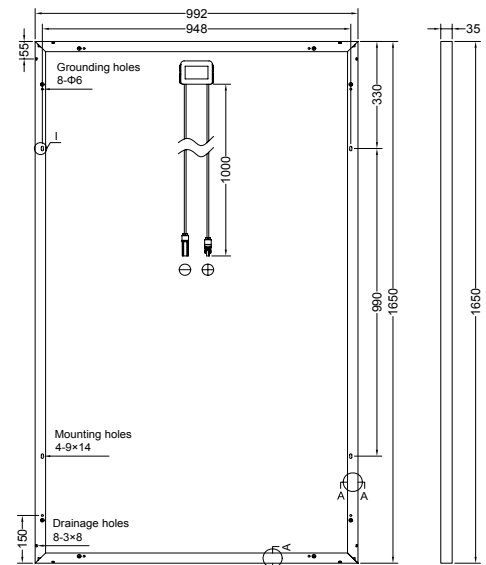
GENERAL CHARACTERISTICS

Dimensions (L / W / H)	1650mm/992mm/35mm
Weight	18.5kg

PACKAGING SPECIFICATIONS

Number of modules per pallet	30
Number of pallets per 40' container	28
Packaging box dimensions (L / W / H)	1700mm/1135mm/1165mm
Box weight	588kg

Unit: mm



Warning: Read the Installation and User Manual in its entirety before handling, installing, and operating Yingli Solar modules.

Yingli Partners:

Yingli Green Energy Americas
info@yingliamericas.com

YINGLISOLAR.COM | NYSE:YGE

© Yingli Green Energy Holding Co., Ltd.

DS_YGE60CELL SERIES 2 1500V-29b_35mm_US_EN_20170821_V04

YINGLI SOLAR
Power Your Life

Yingli, Yingli Solar and the Yingli Logo are trademarks/registered trademarks of Yingli Energy (China) Company Ltd. Corp./its affiliated companies in the U.S. and elsewhere. All rights reserved. The specifications in this datasheet are not guaranteed and are subject to change without prior notice.